



Making Data Acquisition Easy

CAGE/NCAGE CODE: 3FNFO

I-7513 Three Way Isolated RS-485 Active Star Wiring Hub Quick Start Guide

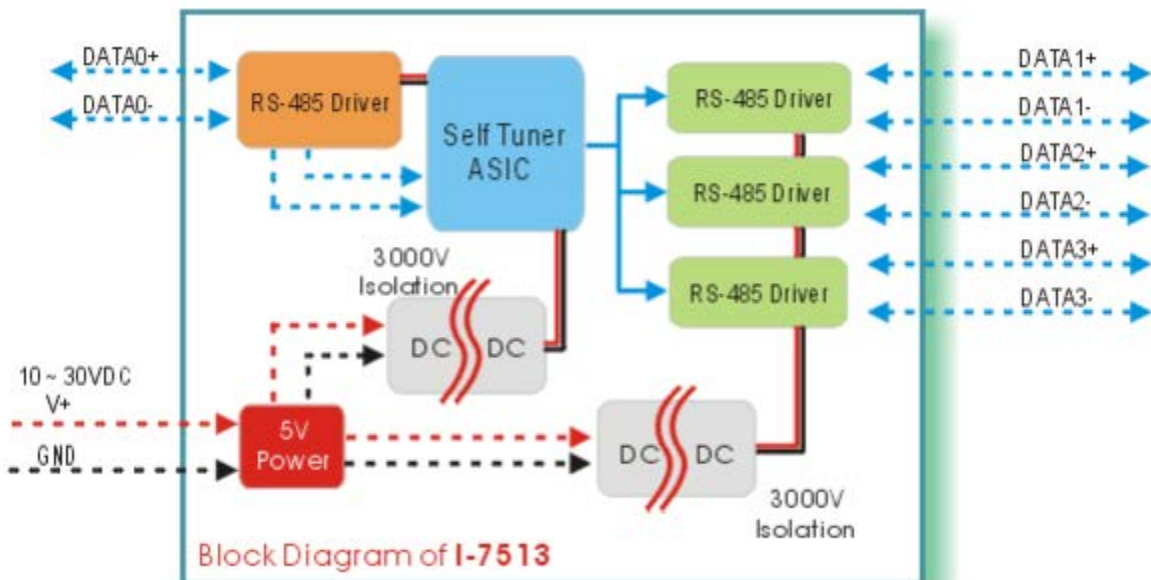
Product Website:

https://www.icpdas-usa.com/i_7513

1. Introduction

The I-7513 is a 3-ch RS-485 Active Star Wiring Hub. The unit has three independent RS-485 output channels, each with their own driver, which can transmit signals across 4,000 ft (1200 m) of cable on each channel. The I-7513 includes both Hub and Repeater functions, so each output channel can be connected to another hub. The isolation site of the I-7513 is located in the input and output interface circuit. In other words, the I-7513 is a three-way isolation module.

2. Block Diagram





Making Data Acquisition Easy

CAGE/NCAGE CODE: 3FNFO

3. Pin Assignment



LED	Color	Description
PWR	Red	Power is On
TxD	Green	Data transmission

Terminal No.	Pin Assignment
01	DATA+
02	DATA-
03	--
04	--
05	--
06	--
07	--
08	--
09	(R)+Vs
10	(B)GND
11	DATA3-
12	DATA3+
13	--
14	DATA2-
15	DATA2+
16	--
17	--
18	--
19	DATA1-
20	DATA1+



Making Data Acquisition Easy

CAGE/NCAGE CODE: 3FNFO

4. Applications

